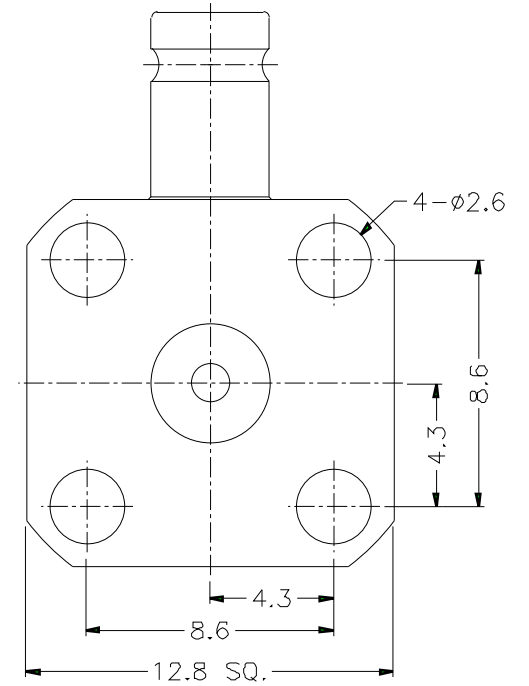
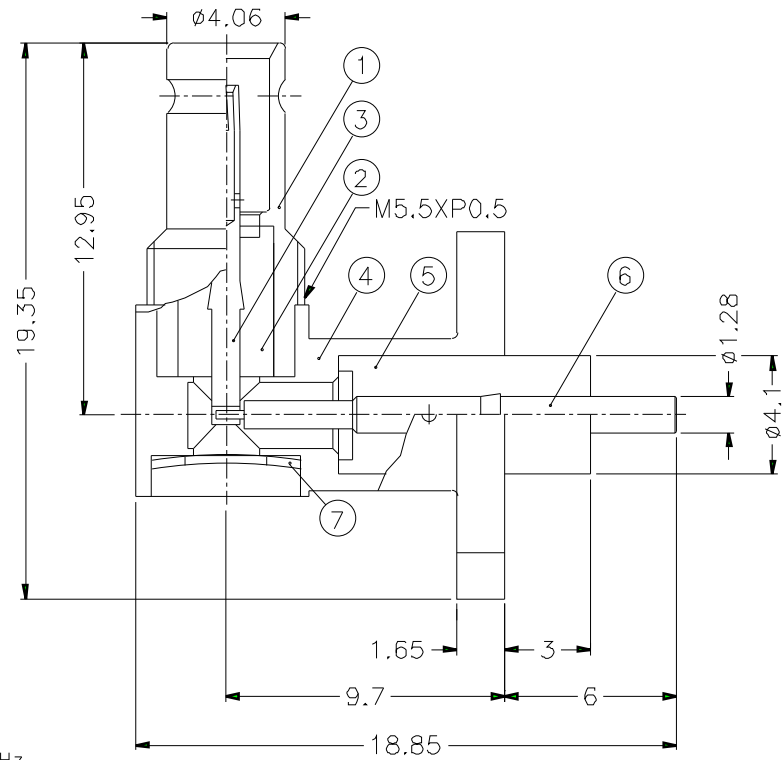


1		2		3		4		5		6		7		8	
REVISIONS															
ISS	ZONE	DESCRIPTION\PER REQUEST\DATE													



- IMPEDANCE: 50 Ohms  
 FREQUENCY RANGE: 0-4 GHz  
 WORKING VOLTAGE: 350 V  
 TEMPERATURE RANGE: -65~+125°C  
 - CONNECTOR ACCORDING TO NF C 93-571  
 - PACKAGING IN TRAY WITH COMMERCIAL PART NUMBER AND DATE CODE

7	COVER	BRASS	GOLD	1	
6	CONTACT PIN	BRASS	GOLD	1	
5	INSULATOR	TEFLON	NATURAL	1	
4	BODY	BRASS	GOLD	1	
3	CONTACT PIN	BEUC	GOLD	1	
2	INSULATOR	TEFLON	NATURAL	1	
1	BODY	BRASS	GOLD	1	
NO.	DESCRIPTION	MATERIAL	FINISH	Q'TY	DRAWING NO.

DIMENSIONS ARE IN MILLIMETERS

PART NO.	102-245-01	
APPROVED	DATE	10-11-01'
CHECKED	DATE	10-11-01'
DRAWN	DATE	10-11-01'
FILE NO.		

<b>Amphenol</b>	
TITLE 1.0/2.3 PANEL RECEPTACLE JACK WITH FLANGE MOUNT, BLUNT POST TERMINAL	
DRAWING NO.	
ITEM NO.	

1	2	3	4	5	6	7	8
---	---	---	---	---	---	---	---