

Description

Twinax and Twin BNC connectors are used with 78 and 95 ohm conductor cables and operates from 0-200 MHz.

Due to the improved shielding characteristic (>30dB), these connectors are used in balanced low level and high sensitivity circuits.

Meets applicable sections of MIL-C-3655

Twinax connectors feature keyway polarization to ensure system integrity and prevent signals from being mixed. Ideal for computer network applications.

Twin BNC features the same two-stud bayonet locking mechanism as standard BNC connectors and polarized contacts (one female, one male) to prevent signals from being mixed. They are ideal for computer network and process control devices.

Features/Benefits

- Polarized key and keyway construction guarantees correct dual contact mate.
- Twinax center pins can be crimped or soldered to provide dual signals from one connector.
- Large threaded connectors designed for rugged use.
- Crimp contacts ensures lower cost of installation.
- Clamp assembly allows quick assembly without requiring special tools.
- 2 Stud bayonet design allows quick and easy coupling.

Applications

- Cable Assemblies
- Components
- Mil-Aerospace
- Computer Networks/LAN
- Process Equipment

Specifications

Electrical

Impedance	Used with 78 ohm and 95 ohm twin conductor cables.
Frequency range	Keyway polarization: 0-200 MHz, 0-500 MHz with caution.
Voltage rating	Keyway polarization: 500 volts peak.

Mechanical

Mating	Keyway polarization: 3/4-20 threaded coupling keyed 90°
Cable affixment	Braid clamp, "V" groove gasket and clamp nut mechanism.

Material

Contacts	Male: brass Female: beryllium copper. Silver plated or gold plated.
Other metal parts	Brass: Nickel finish
Insulators	Copolymer of styrene, Noryl, or polyester, as listed.
Clamp gaskets	Silicone rubber or synthetic rubber

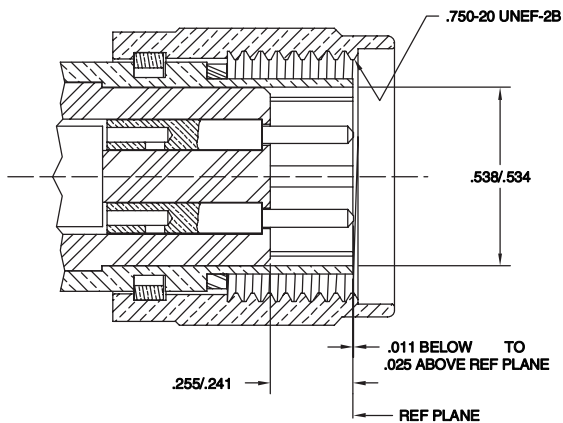
Environmental

Temperature range	Copolymer of Styrene: - 55°C to +85°C Noryl: - 45°C to +121°C
Weatherproof	All Twinax Contact connectors are weatherproof when mated.
NOTE:	These characteristics are typical and may not apply to all connectors.

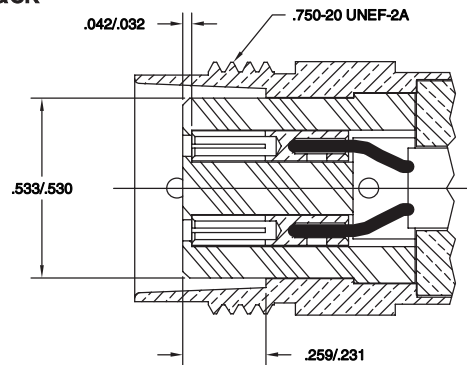
MILITARY SPECIFICATIONS

Amphenol twinaxial connectors, polarized key and keyway construction, meet applicable sections of MIL-C-3655.

Plug

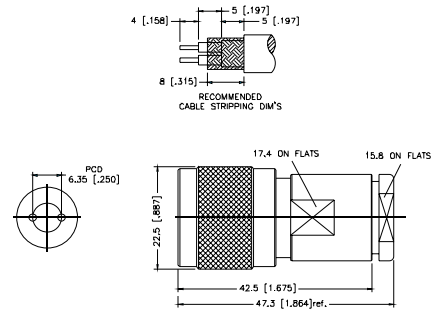


Jack



Straight Clamp Plug - Standard Cable

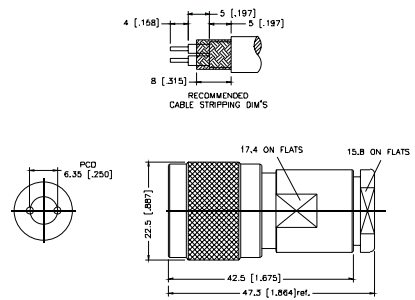
P.N.	Cable Group	Pit.	Ins.	Imp.	Crimp Tool
TWX1141A1-NPB3G-9-95 IBM 7362229 Belden 9207	09	Nickel	PBT Polyester	100	N/A
TWX1141A1-NPB3G-89-95 Belden 89207	09	Nickel	PBT Polyester	100	N/A



1 gold, 1 silver contact are available
Assembly Instruction R - page 244

P.N.	Cable Group	Pit.	Ins.	Imp.	Crimp Tool
TWX1141K1-NPB3G-9-95	09	Nickel	PBT Polyester	100	N/A

Remark: European Type. With Delrin Bushing 9.3 [0.366] x 8 [0.315] x 4.5 [0.177]

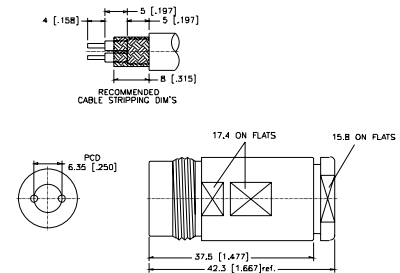


1 gold, 1 silver contact are available
Assembly Instruction R - page 244

Straight Clamp Jack - Standard Cable

P.N.	Cable Group	Pit.	Ins.	Imp.	Crimp Tool
TWX6141A1-NPB3G-9-95	09	Nickel	PBT Polyester	100	N/A

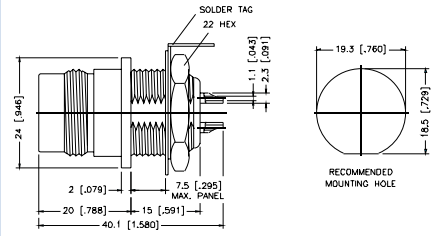
Remark: IBM 6838959



Assembly Instruction R - page 244

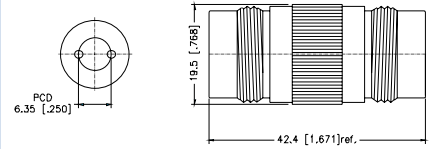
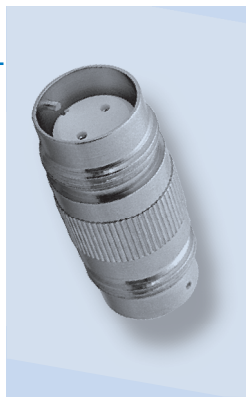
Bulkhead Receptacle Jack

P.N.	Cable Group	Pit.	Ins.	Imp.	Crimp Tool
TWX6351B1-NPB3G-95 IBM 7362179	N/A	Nickel PBT	Polyester	100	N/A
TWX6351D1-NPB3G-95 Diecast body	N/A	Nickel PBT	Polyester	100	N/A



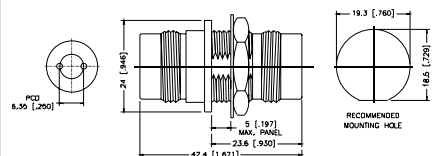
Jack-to-Jack Feedthrough Adapter

P.N.	Cable Group	Pit.	Ins.	Imp.	Crimp Tool
TWX7071A1-NPB3G-95 Remark: IBM 7362230	N/A	Nickel PBT	Polyester	100	N/A



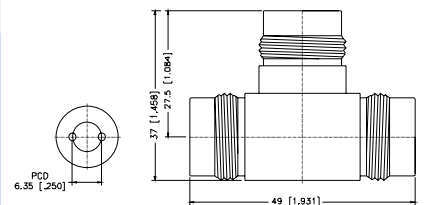
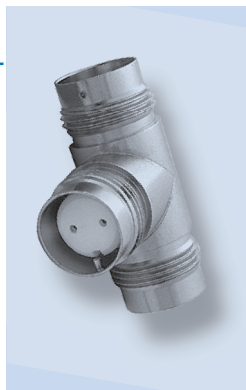
Bulkhead Jack-to-Jack Adapter

P.N.	Cable Group	Pit.	Ins.	Imp.	Crimp Tool
TWX7471B1-NPB3G-95	N/A	Nickel PBT	Polyester	100	N/A



Tee Adapter Jack-to-Jack-to-Jack

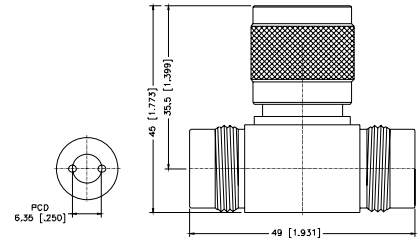
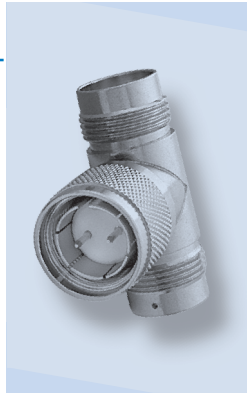
P.N.	Cable Group	Pit.	Ins.	Imp.	Crimp Tool
TWX8073A1-NPB3G-95 Remark: IBM 6851167	N/A	Nickel PBT	Polyester	100	N/A



Tee Adapter Jack-to-Plug-to-Jack

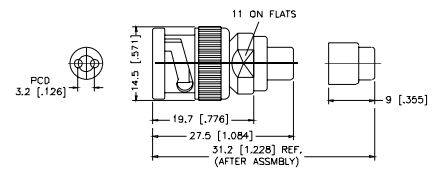
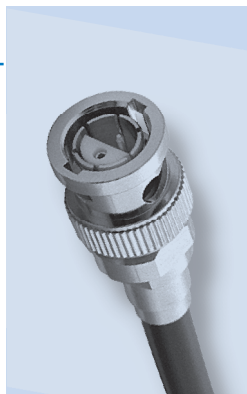
P.N.	Cable Group	Pit.	Ins.	Imp.	Crimp Tool
TWX9073A1-NPB3G-95	N/A	Nickel PBT	Polyester	95	N/A

Remark: IBM 4178269



Straight Crimp Plug - Flexible Cable

P.N.	Cable Group	Pit.	Ins.	Imp.	Crimp Tool
TWB1111K1-NPB3G-78	RG-108A/U	Nickel PBT	Polyester	78	N/A



Assembly Instruction J - page 236

Bulkhead Receptacle Jack

P.N.	Cable Group	Pit.	Ins.	Imp.	Crimp Tool
TWB6351B1-NPB3G-95	N/A	Nickel PBT	Polyester	95	N/A

