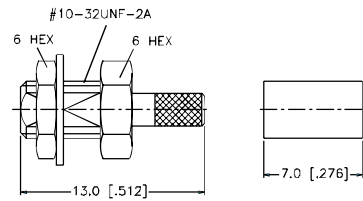
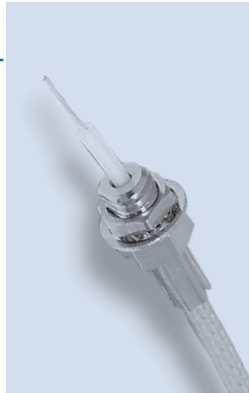


Straight Crimp - Bulkhead Mount - Flexible Cable

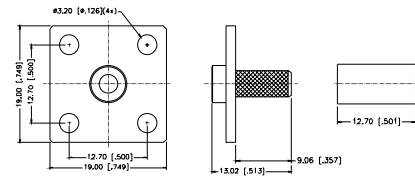
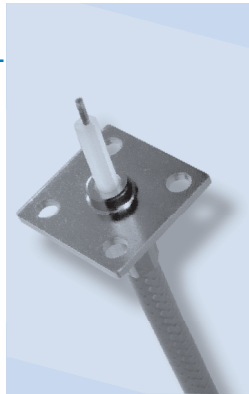
P.N.	Cable Group	Pit.	Ins.	Imp.	Crimp Tool
TMN0411A2-N-1	01	Nickel	N/A	N/A	3 or 4
TMN0411A2-N-1A	01A	Nickel	N/A	N/A	3 or 4
TMN0411A3-N-3	03	Nickel	N/A	N/A	4
TMN0411A1-N-5	05/06	Nickel	N/A	N/A	1 or 2
TMN0411A1-N-5A	05A/06A	Nickel	N/A	N/A	2
TMN0411A1-N-14	14	Nickel	N/A	N/A	1 or 2
TMN0411A2-N-16	16	Nickel	N/A	N/A	3
TMN0411A2-N-16A	16A	Nickel	N/A	N/A	3



Assembly Instruction J - page 236

Straight Crimp - 4 hole Flange Mount - Flexible and semi-rigid Cable

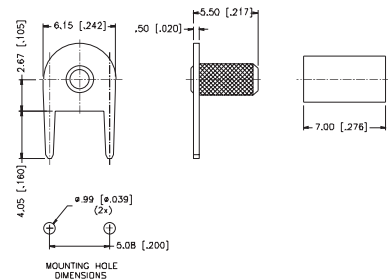
P.N.	Cable Group	Pit.	Ins.	Imp.	Crimp Tool
TMN0511A2-N-1	01	Nickel	N/A	N/A	3 or 4
TMN0511A2-N-1A	01A	Nickel	N/A	N/A	3 or 4
TMN0511A1-N-5	05/06	Nickel	N/A	N/A	1 or 2
TMN0511A1-N-5A	05A/06A	Nickel	N/A	N/A	2
TMN0581A1-3G-10 SMA 4-hole flange	10	Gold	N/A	N/A	N/A
TMN0581B1-3G-11 SMA 2-hole flange	11	Gold	N/A	N/A	N/A
TMN0511A1-N-14	14	Nickel	N/A	N/A	1 or 2
TMN0511A2-N-16	16	Nickel	N/A	N/A	3
TMN0511A2-N-16A	16A	Nickel	N/A	N/A	3



Assembly Instruction J - page 236

Right Angle Crimp - 2 hole P.C. Board Mount

P.N.	Cable Group	Pit.	Ins.	Imp.	Crimp Tool
SK0644-NBT-5	05/06	Tin Lead	N/A	N/A	1 or 2



Assembly Instruction J - page 236

Specifications

Electrical

Impedance	50 ohm
Frequency range	DC - 40 GHz
VSWR	< 1.50
Insertion Loss	0.1 dB maximum/1 GHz
Insulator Resistance	5,000 MΩ
Center Contact Resistance	< 6 mΩ
Outer Contact Resistance	< 2 mΩ
Test Voltage	500 V rms
Working Voltage	335 V rms
Contact Current	1.2 A DC maximum

Mechanical

Engagement Force		Disengagement Force
Full Detent	9 lbs (40 N)	6.9 lbs (31 N)
Limited Detent	6.9 lbs (31 N)	5 lbs (22 N)
Smooth Bore	2 lbs (9 N)	0.5 lbs (2.2 N)
Catcher's Mitt	2 lbs (9 N)	0.5 lbs (2.2 N)
Mating Cycles		>100 with full detent; >500 with limited detent

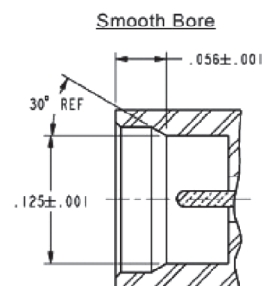
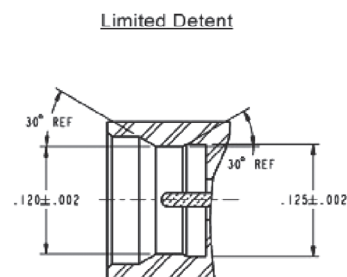
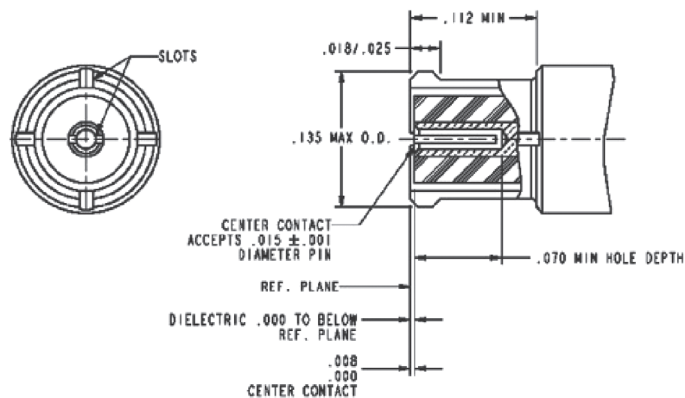
Note: These characteristics are typical but may not apply to all connectors.

Material

Male Body	Gold-plated brass
Female Body	Gold-plated beryllium copper
Pin Contact	Gold-plated brass Gold-plated beryllium copper
Socket Contact	Gold-plated brass Gold-plated beryllium copper
Spring Loaded Contact Parts	Beryllium copper
Insulator	PTFE
Crimping Sleeve	Copper Alloy

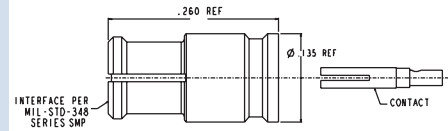
Environmental

Temperature Range	-65°C to +155°C
Vibration	MIL-STD-202, method 204, test condition B
Humidity	MIL-STD-202, method 106, test condition D
Shock	MIL-STD-202, method 213, test condition B
Temperature Cycle	MIL-STD-202, method 102, test condition C



Straight Jack

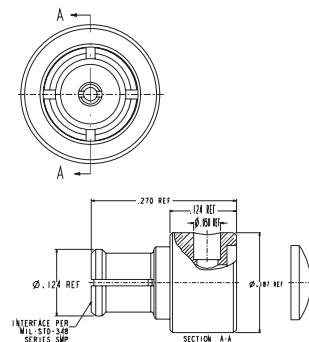
P.N.	Cable Group	Plt.	Ins.	Imp.	Crimp Tool
SMP1181A1-30GT30G-13-50	13	Gold	Peek or LCP	50	N/A
SMP1181A1-30GT30G-11-50	11	Gold	Peek or LCP	50	N/A



Assembly Instruction A1, A2 - page 225

Right Angled Jack

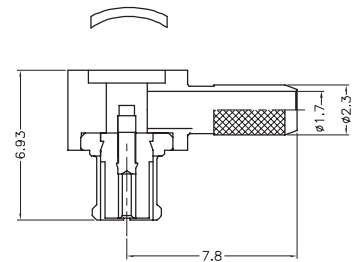
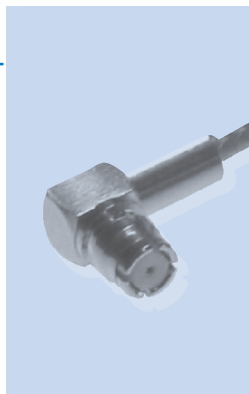
P.N.	Cable Group	Plt.	Ins.	Imp.	Crimp Tool
SMP1182A1-30GT30G-13-50	13	Gold	Peek or LCP	50	N/A
SMP1182A1-30GT30G-11-50	11	Gold	Peek or LCP	50	N/A



Assembly Instruction A3 - page 226

Right Angle Crimp Jack - Miniature Cable

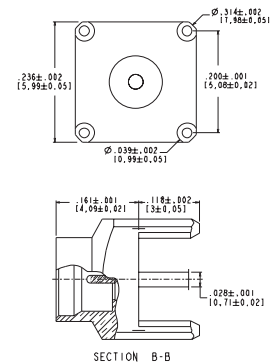
P.N.	Cable Group	Plt.	Ins.	Imp.	Crimp Tool
SMP6112B1-10GT30G-5-50	05	Gold	Teflon	50	1 or 2



Assembly Instruction I - page 235

Straight Plug, Pin Contact PCB Receptacle

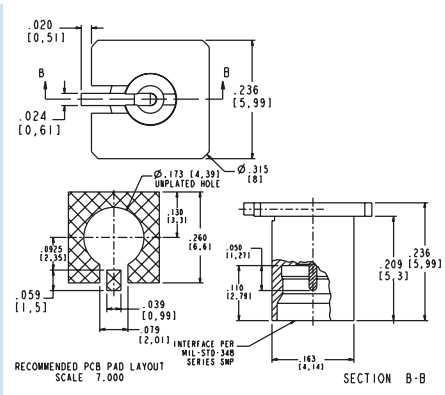
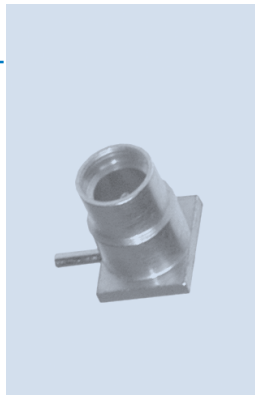
P.N.	Cable Group	Plt.	Ins.	Imp.	Crimp Tool
SMP6251A1-30GP30G-50	N/A	Gold	Peek or LCP	50	N/A
SMP6251A1-001-30GP30G-50	N/A	Gold	Peek or LCP	50	N/A
SMP6251A1-002-30GP30G-50	N/A	Gold	Peek or LCP	50	N/A
SMP6251A1-003-30GP30G-50	N/A	Gold	Peek or LCP	50	N/A
SMP6251A1-004-30GP30G-50	N/A	Gold	Peek or LCP	50	N/A



PCB Connectors

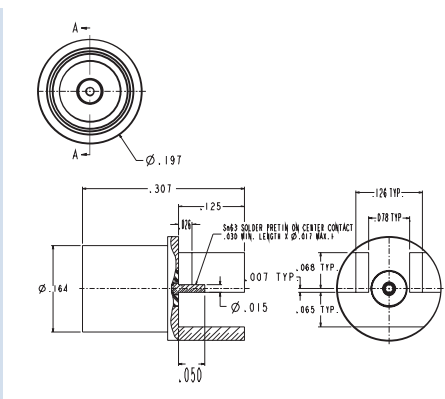
Straight Plug, Pin Contact PCB Rear Mount

P.N.	Cable Group	Plt.	Ins.	Imp.	Crimp Tool
SMP6351A1-002-30GT30G-50	N/A	Gold	Peek or LCP	50	N/A
SMP6351A1-001-30GT30G-50	N/A	Gold	Peek or LCP	50	N/A



Straight Plug End Launch

P.N.	Cable Group	Plt.	Ins.	Imp.	Crimp Tool
SMP6251A1-009-30GP30G-50	N/A	Gold	Peek or LCP	50	N/A



Bullet Adapters Jack to Jack

P.N.	Cable Group	Plt.	Ins.	Imp.	Crimp Tool
SMP7071A1-064-30GT30G-50	N/A	Gold	Teflon	50	N/A
SMP7071A1-099-30GT30G-50	N/A	Gold	Teflon	50	N/A
SMP7071A1-145-30GT30G-50	N/A	Gold	Teflon	50	N/A
SMP7071A1-220-30GT30G-50	N/A	Gold	Teflon	50	N/A

