

The compact European design of the 1.0/2.3 series permits dense connector packing; they are ideally suited to applications where space limitation is a factor.

Versions are available with threaded coupling mechanisms which provide positive mating or a unique push-pull coupling system which allows quick installation. The Amphenol push-pull process is patented and ensures positive locking.

Amphenol 1.0/2.3 coaxial connectors are 50 Ω and 75 Ω units operating from 0-10 GHz. This series complies with DIN 41626, DIN 47297, and NFC 93-571 international specifications.

For crimping the inner contact please use our standard tool M22520/2-01 and locator AC-Positioner K41.

- Push-pull coupling with patented locking mechanism allows quick installation
- Push-pull offers safe coupling.
- Locking mechanism will not vibrate loose as threaded connectors are prone to do.
- Push-pull connectors can be more densely packed saving panel space in components that are shrinking in size.

- Amplifiers
- Base Stations
- Cable Assemblies
- Components
- Filter
- Routers
- Switching Equipment
- Telecom

1.0/2.3 Coaxial Connectors

Specifications

Electrical

Impedance	50 Ω
Frequency Range	0-10 GHz
Voltage Rating	250 volts peak
Contact Resistance	Center contact: 6 Ω: Outer contact: 3 Ω
Insulation Resistance	10,000 megohms

Mechanical

Mating	Slide-on, push-pull, threaded
Braid/Jacket Cable Affixment	Hex crimp
Center Conductor Cable Affixment	Crimp or solder
Captivated Contacts	All crimps

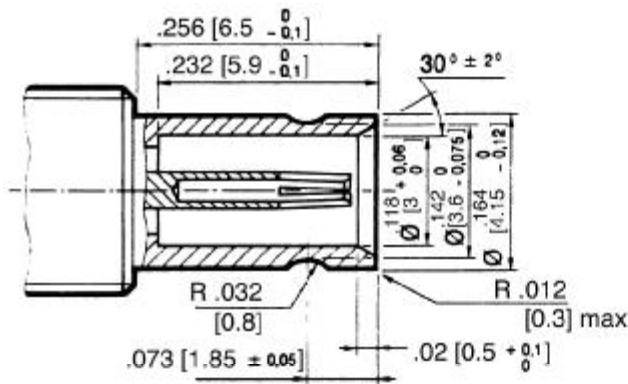
Material

Male Contact	Brass
Female Contact	Beryllium copper center and outer, gold plated
Insulator	Teflon
Crimp Ferrule	Copper

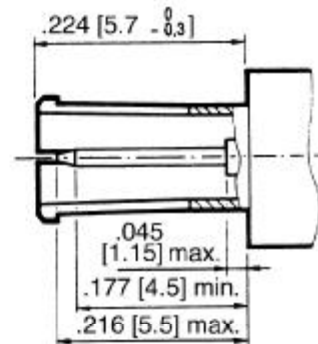
Environmental

Temperature Range	-40° C to + 155° C
Connector Durability	500 matings

Plug



Jack



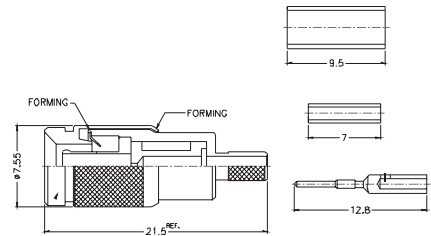
Push Pull Straight Plug Full Crimp

P.N.	Cable Group	Pit.	Ins.	Imp.	Tool Ferrule	Tool inner contact*
1231121D1-E06	6	Nickel	Teflon	75	Ace-tool 1	6**
1231121D1-E16	16	Nickel	Teflon	75	Ace-tool 3	5
1231121D1-E16A	16A	Nickel	Teflon	75	Ace-tool 3	5***
1231121D1-E20	20	Nickel	Teflon	75	Ace-tool 2	5
1231121D1-E21	21	Nickel	Teflon	75	Ace-tool 2	6
1231121D1-E22	22	Nickel	Teflon	75	Ace-tool 3	5
1231121D1-E23	23	Nickel	Teflon	75	10	6
1231121D1-E24	24	Nickel	Teflon	75	Ace-tool 2	6

*crimp instruction inner contact, locator adjust to:

** (RG179 or RG187A to 3), (RA8000 to 1)

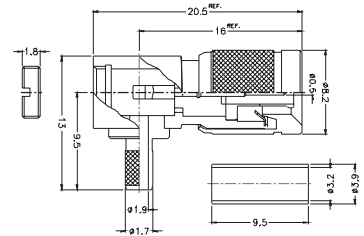
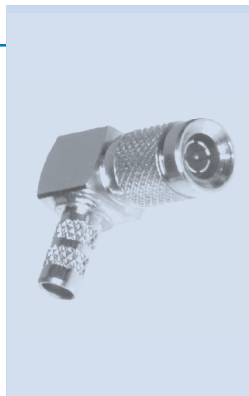
*** (BT3002 to 3)



Assembly Instruction J - page 236

Push Pull Right Angled Plug Solder Crimp

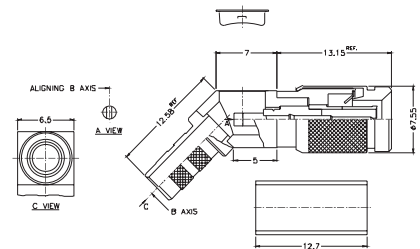
P.N.	Cable Group	Pit.	Ins.	Imp.	Tool Ferrule	Tool inner contact*
1231112D1-E06	6	Nickel	Teflon	75	Ace-tool 1	N/A
1231112D1-E16	16	Nickel	Teflon	75	Ace-tool 3	N/A
1231112D1-E16A	16A	Nickel	Teflon	75	Ace-tool 3	N/A
1231112D1-E20	20	Nickel	Teflon	75	Ace-tool 2	N/A
1231112D1-E21	21	Nickel	Teflon	75	Ace-tool 2	N/A
1231112D1-E22	22	Nickel	Teflon	75	Ace-tool 3	N/A
1231112D1-E23	23	Nickel	Teflon	75	10	N/A
1231112D1-E24	24	Nickel	Teflon	75	Ace-tool 1	N/A



Assembly Instruction I - page 235

Push Pull 45 Degrees Plug Solder Crimp

P.N.	Cable Group	Pit.	Ins.	Imp.	Tool Ferrule	Tool inner contact*
1231110L2-E06	6	Nickel	Teflon	75	Ace-tool 1	N/A
1231110L2-E16	16	Nickel	Teflon	75	Ace-tool 3	N/A
1231110L2-E16A	16A	Nickel	Teflon	75	Ace-tool 3	N/A
1231110L2-E20	20	Nickel	Teflon	75	Ace-tool 2	N/A
1231110L2-E21	21	Nickel	Teflon	75	Ace-tool 2	N/A
1231110L2-E22	22	Nickel	Teflon	75	Ace-tool 3	N/A
1231110L2-E23	23	Nickel	Teflon	75	10	N/A



Assembly Instruction J - page 236

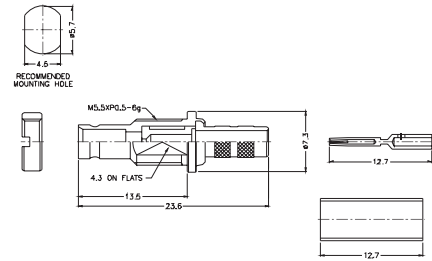
P.N.	Cable Group	Pft.	Ins.	Imp.	Ferrule	Tool contact*	Tool
1236421A1-E06	6	Nickel	Teflon	75	Ace-tool 1	6**	
1236421A1-E16	16	Nickel	Teflon	75	Ace-tool 3	5	
1236421A1-E16A	16A	Nickel	Teflon	75	Ace-tool 3	5***	
1236421A1-E20	20	Nickel	Teflon	75	Ace-tool 2	5	
1236421A1-E21	21	Nickel	Teflon	75	Ace-tool 7	6	
1236421A1-E22	22	Nickel	Teflon	75	Ace-tool 3	5	
1236421A1-E23	23	Nickel	Teflon	75	10	6	
1236421A1-E24	24	Nickel	Teflon	75	Ace-tool 2	6	

*crimp instruction inner contact, locator adjust to:

** (RG179 or RG187 to 3), (RA 8000 to 1)
 *** (BT3002 to 3)



Tool Inner

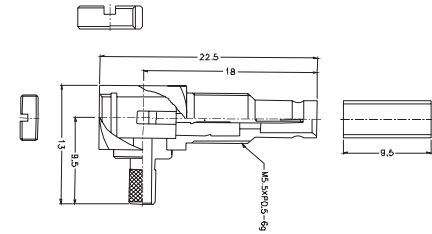


Right Angled Bulkhead Solder Crimp Jack

P.N.	Cable Group	Pft.	Ins.	Imp.	Ferrule	Tool contact*	Tool
1236412A1-E06	6	Nickel	Teflon	75	Ace-tool 1	N/A	
1236412A1-E16	16	Nickel	Teflon	75	Ace-tool 3	N/A	
1236412A1-E16A	16A	Nickel	Teflon	75	Ace-tool 3	N/A	
1236412A1-E20	20	Nickel	Teflon	75	Ace-tool 2	N/A	
1236412A1-E21	21	Nickel	Teflon	75	Ace-tool 2	N/A	
1236412A1-E22	22	Nickel	Teflon	75	Ace-tool 3	N/A	
1236412A1-E23	23	Nickel	Teflon	75	10	N/A	
1236412A1-E24	24	Nickel	Teflon	75	Ace-tool 1	N/A	

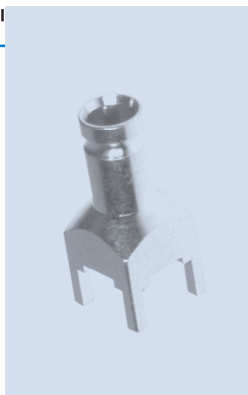


Inner

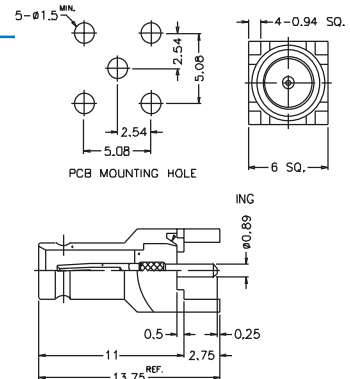


Straight PCB Receptacle

P.N.	Cable Group	Pft.	Ins.	Imp.	Ferrule	Tool contact*	Tool
1236251B1-ES1	N/A	Gold	Teflon	50	N/A	N/A	
123625100-ES2	N/A	Gold	Teflon	75	N/A	N/A	

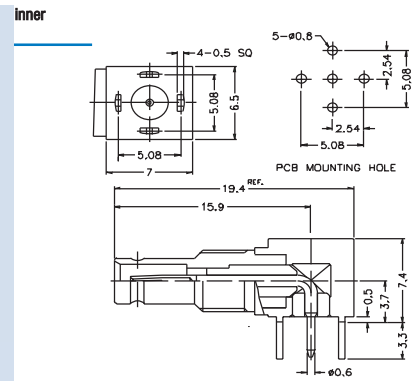
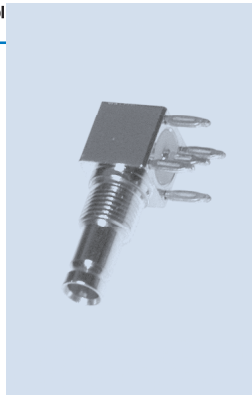


Tool Inner



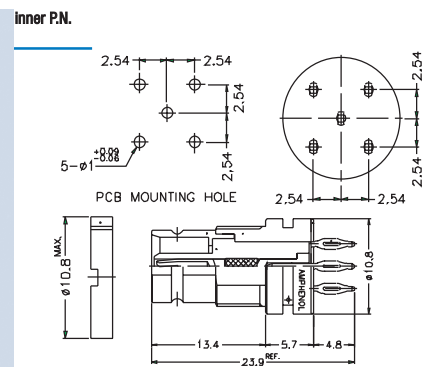
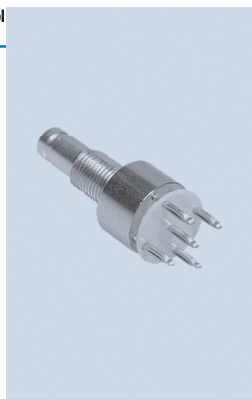
Right Angled PCB Receptacle

P.N.	Cable Group	Pit.	Ins.	Imp.	Tool Ferrule	Tool contact*
1236252AF-ER1	N/A	Gold	Teflon	50	N/A	N/A
1236252AF-ER2	N/A	Gold	Teflon	50	N/A	N/A



Straight Press-Fit Jack

Group	Cable Pit.	Ins.	Imp.	Ferrule	Tool contact*	
1236251PF-ES1	N/A	Gold	Teflon	50	N/A	N/A
1236251PF-ES2	N/A	Gold	Teflon	50	N/A	N/A
1236251PF-ES3	N/A	Gold	Teflon	50	N/A	N/A



Right Angled Press-Fit Jack

Group	Cable Pit.	Ins.	Imp.	Ferrule	Tool contact*	
1236252PF-ER1	N/A	Gold	Teflon	50	N/A	N/A

